

*FREEDOM
RETRACTABLE
SCREENS*

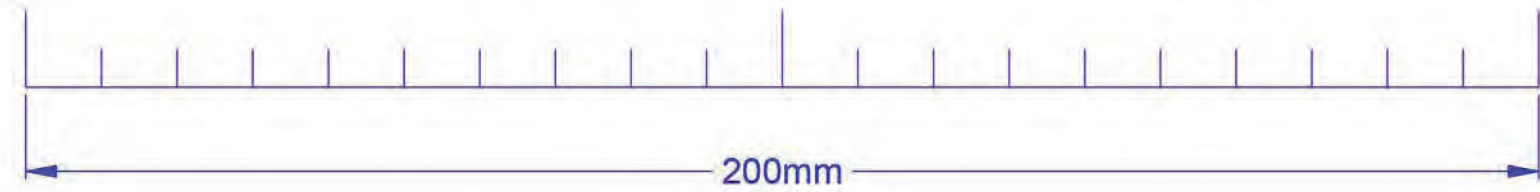
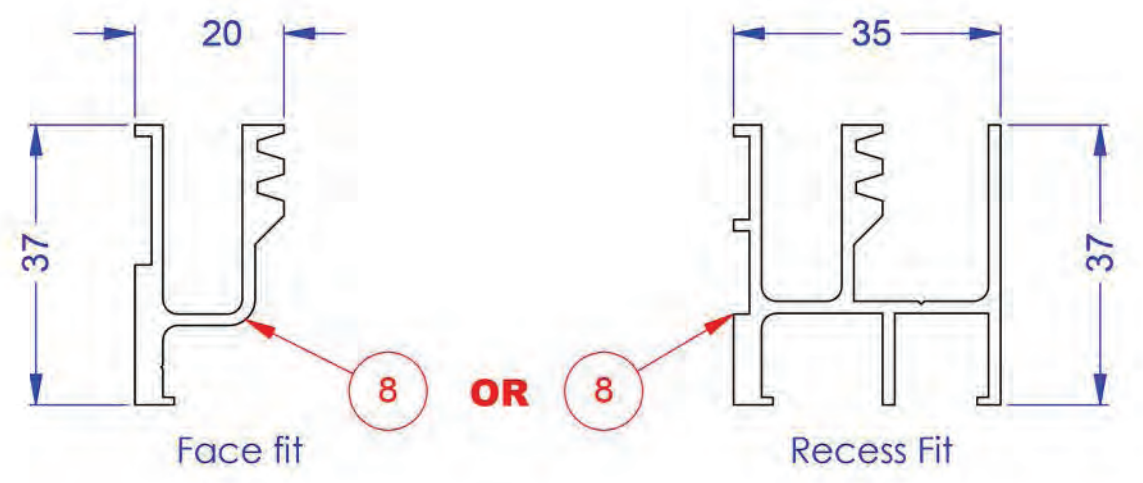
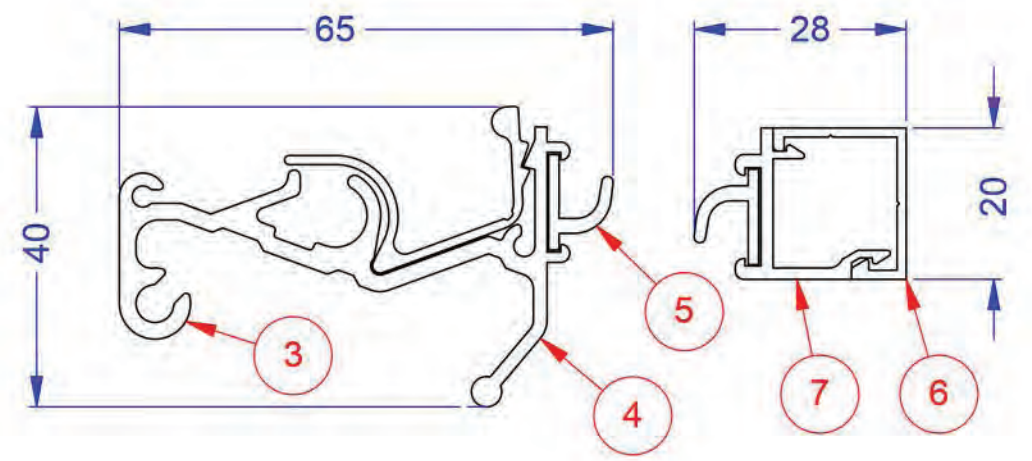
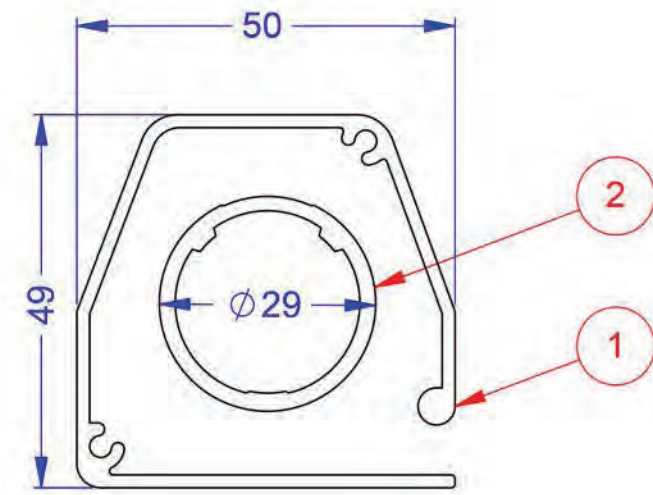
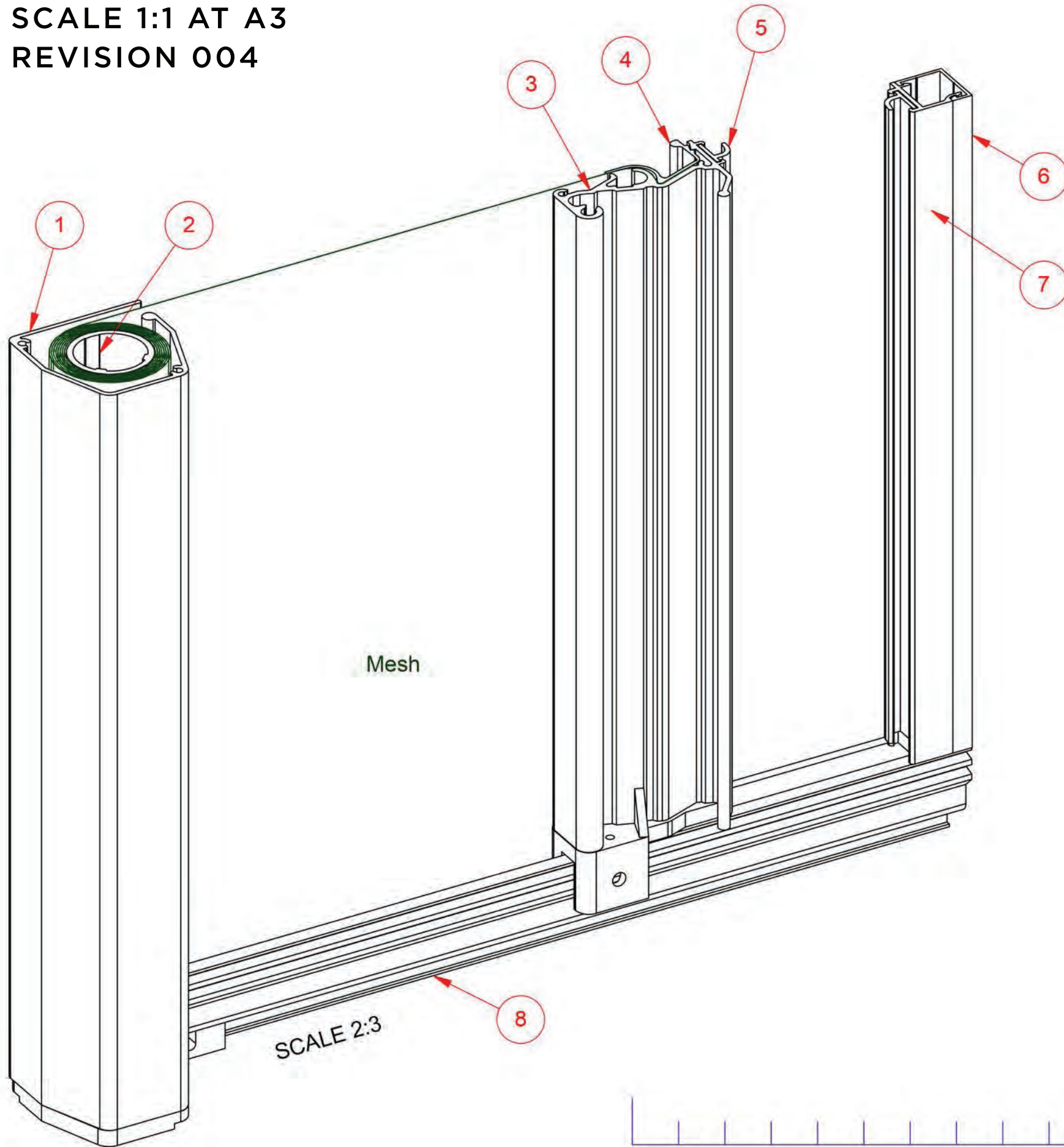


FREEDOM ELITE Technical Information

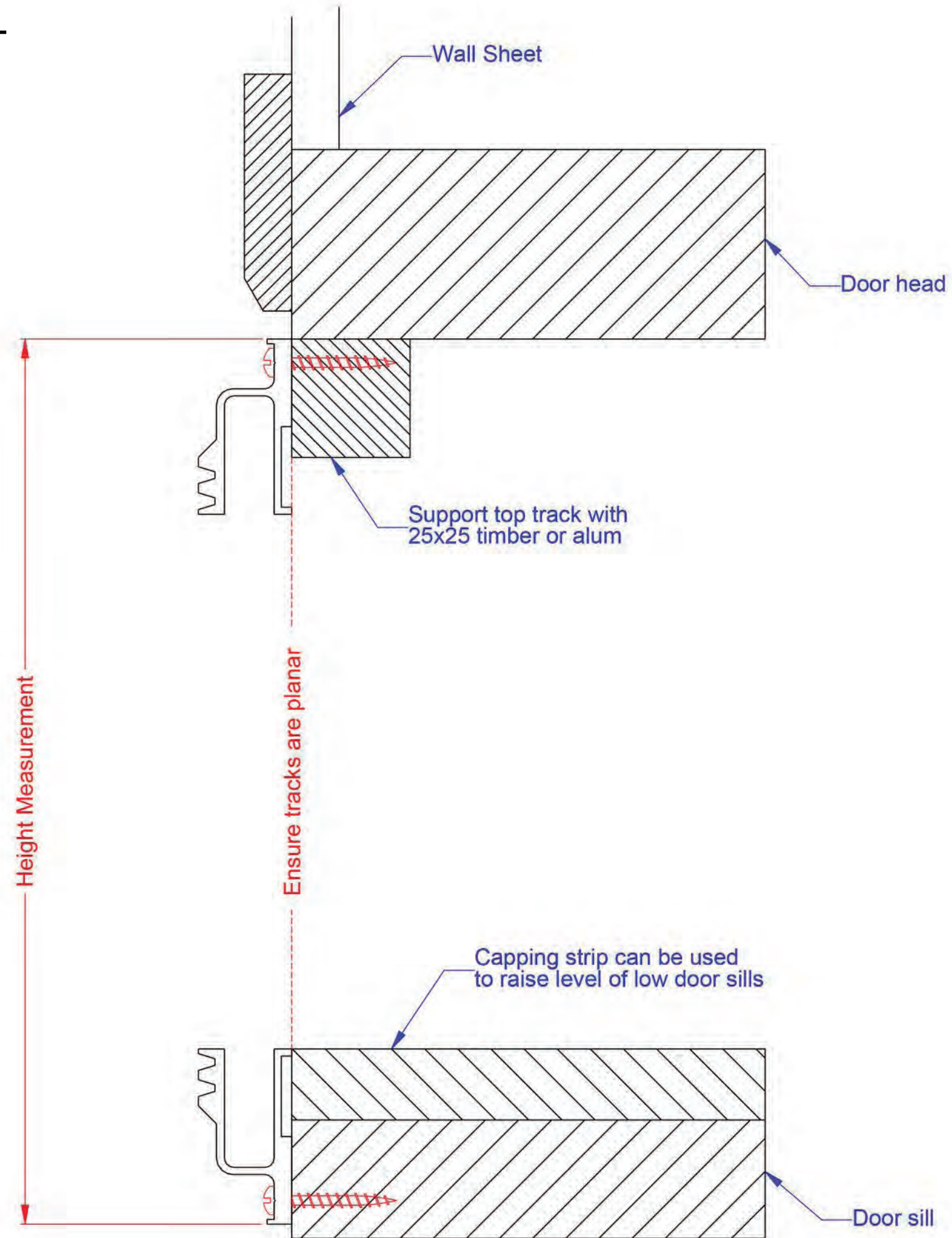
www.freedomscreens.com.au

FREEDOM RETRACTABLE SCREENS® FREEDOM ELITE SERIES

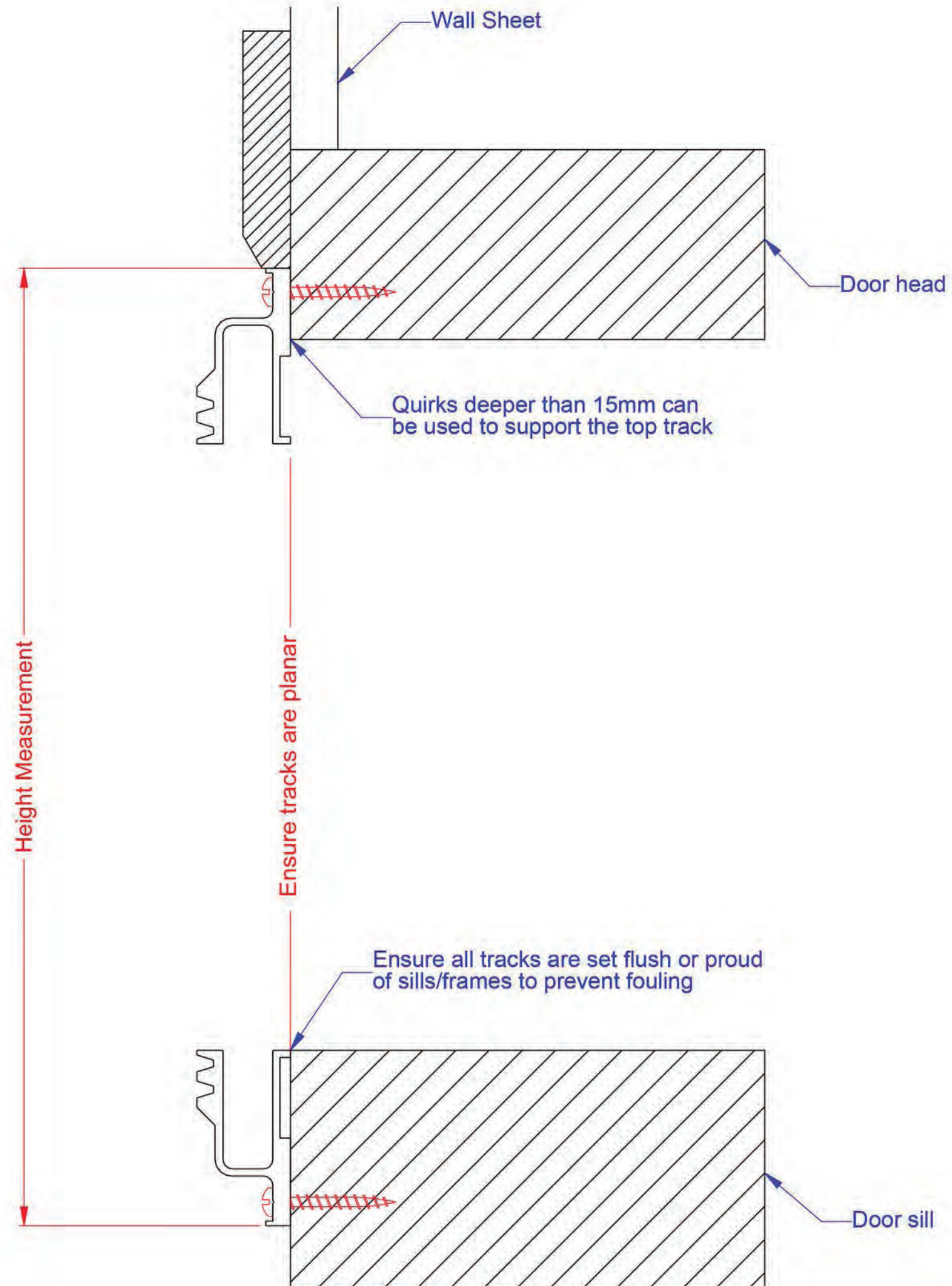
FREEDOM™ ELITE
COMPONENT DIMS - GENERAL
SCALE 1:1 AT A3
REVISION 004



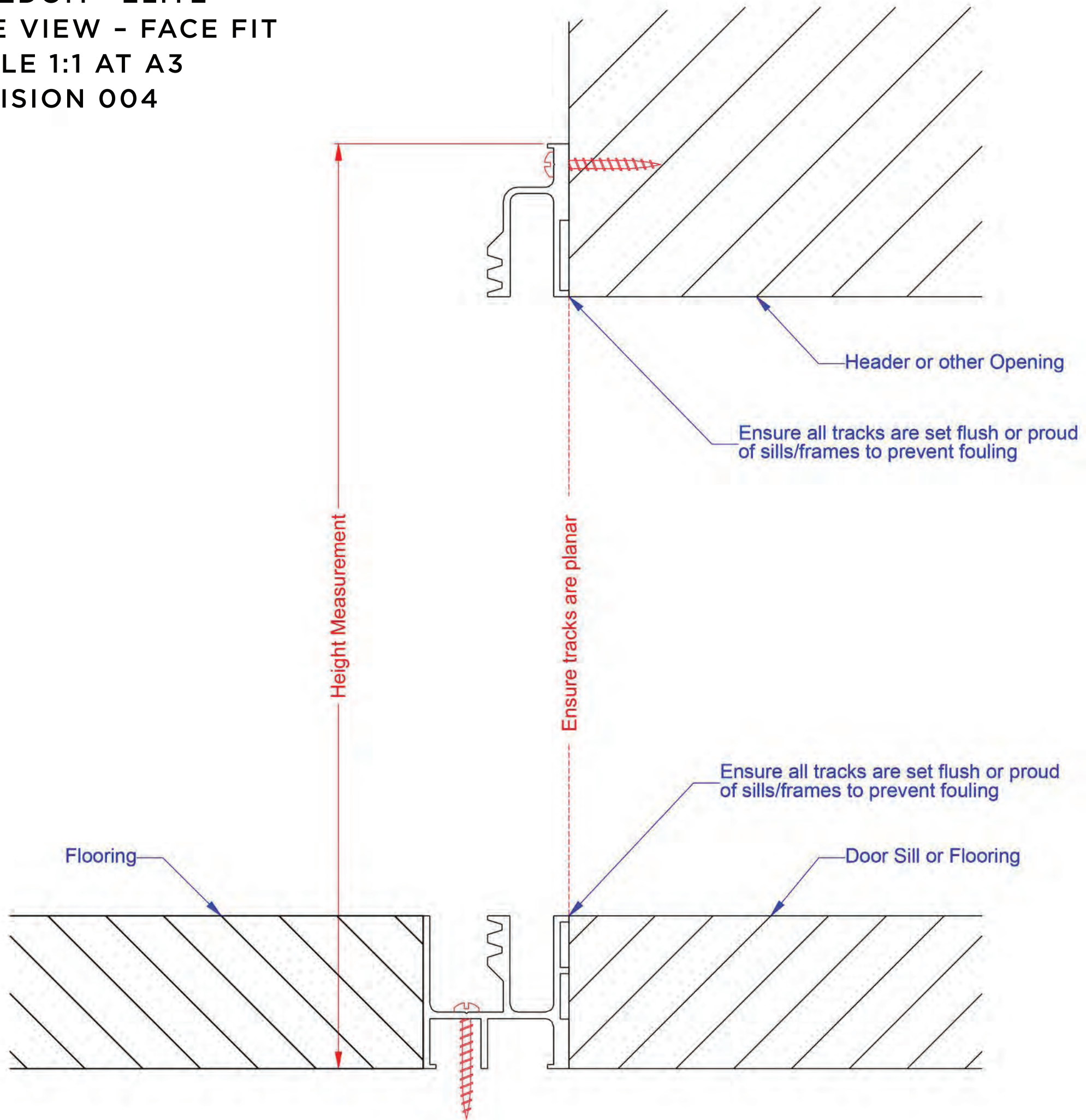
FREEDOM™ ELITE
SIDE VIEW - REVEAL FIT
SCALE 1:1 AT A3
REVISION 004



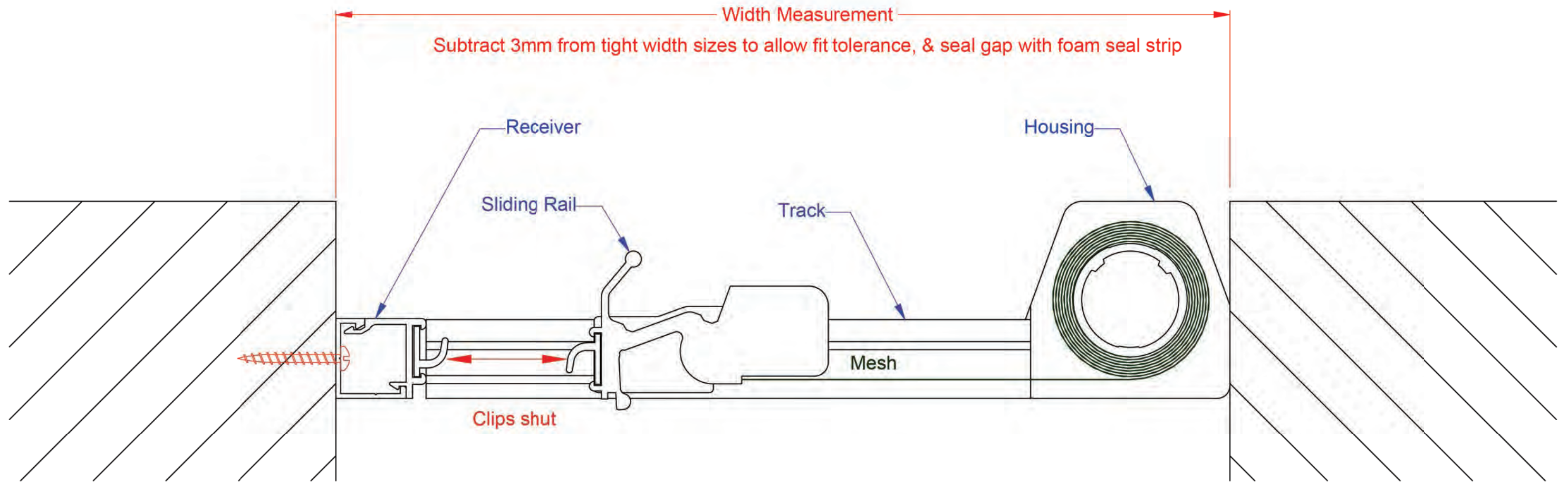
FREEDOM™ ELITE
SIDE VIEW - QUIRK FIT
SCALE 1:1 AT A3
REVISION 004



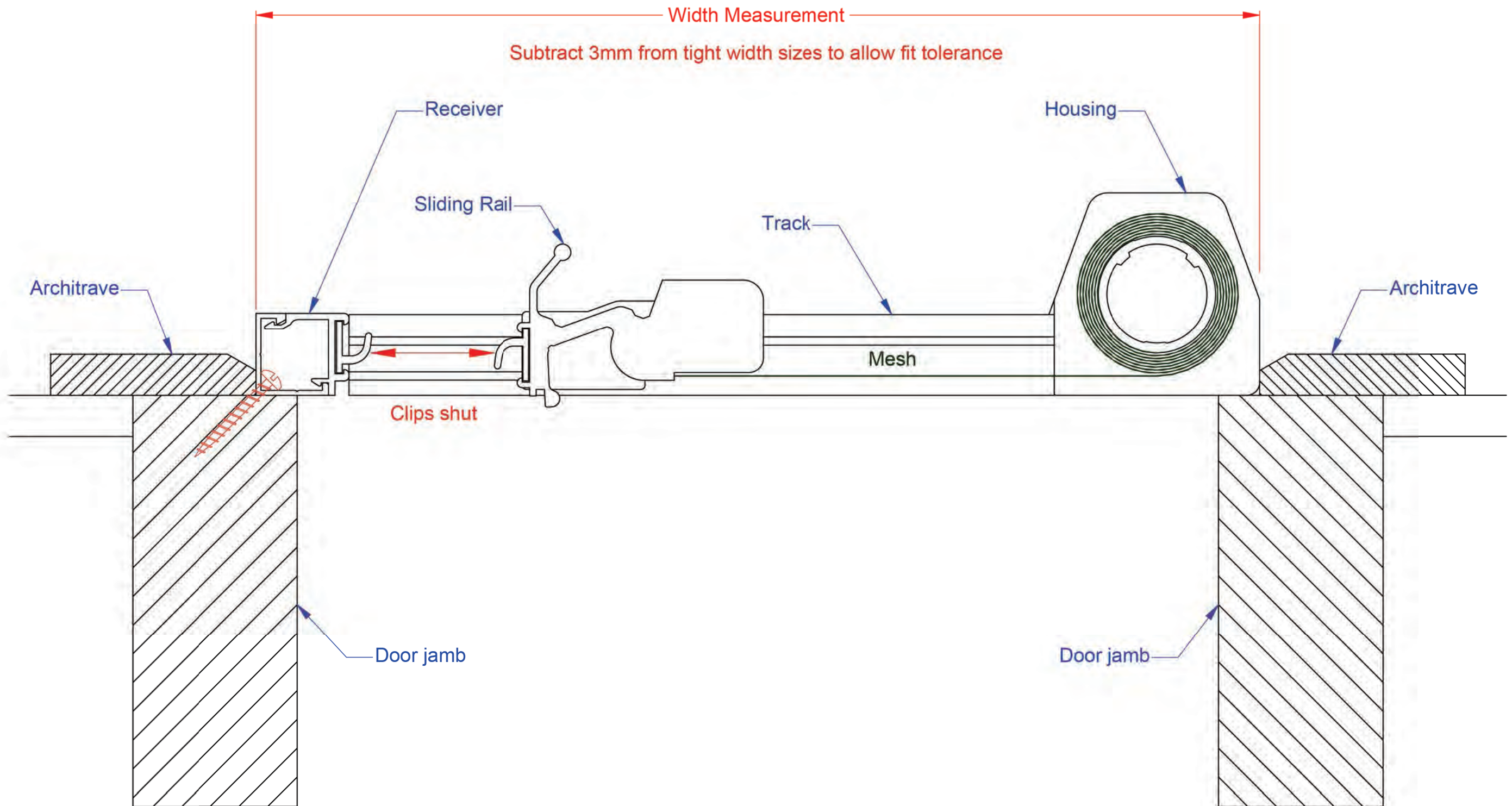
FREEDOM™ ELITE
SIDE VIEW - FACE FIT
SCALE 1:1 AT A3
REVISION 004



FREEDOM™ ELITE
PLAN VIEW - REVEAL FIT
SCALE 1:1 AT A3
REVISION 004



FREEDOM™ ELITE
PLAN VIEW - QUIRK FIT
SCALE 1:1 AT A3
REVISION 004



FREEDOM™ ELITE
PLAN VIEW - FACE FIT
SCALE 1:1 AT A3
REVISION 004

