

*FREEDOM  
RETRACTABLE  
SCREENS*

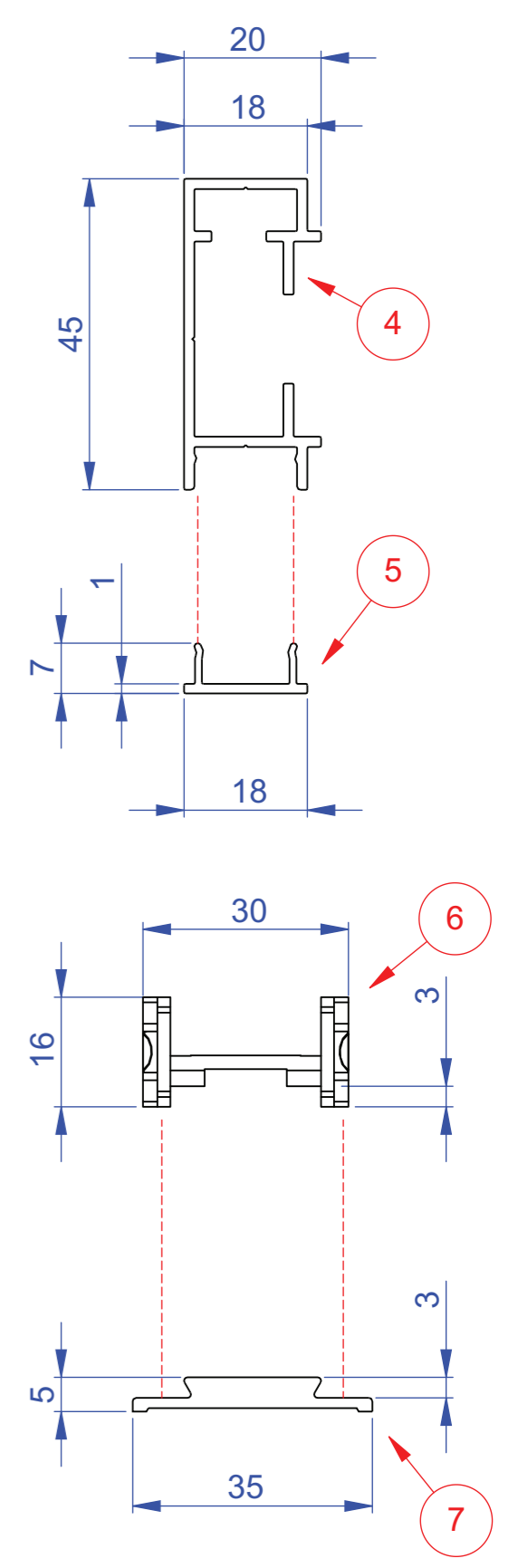
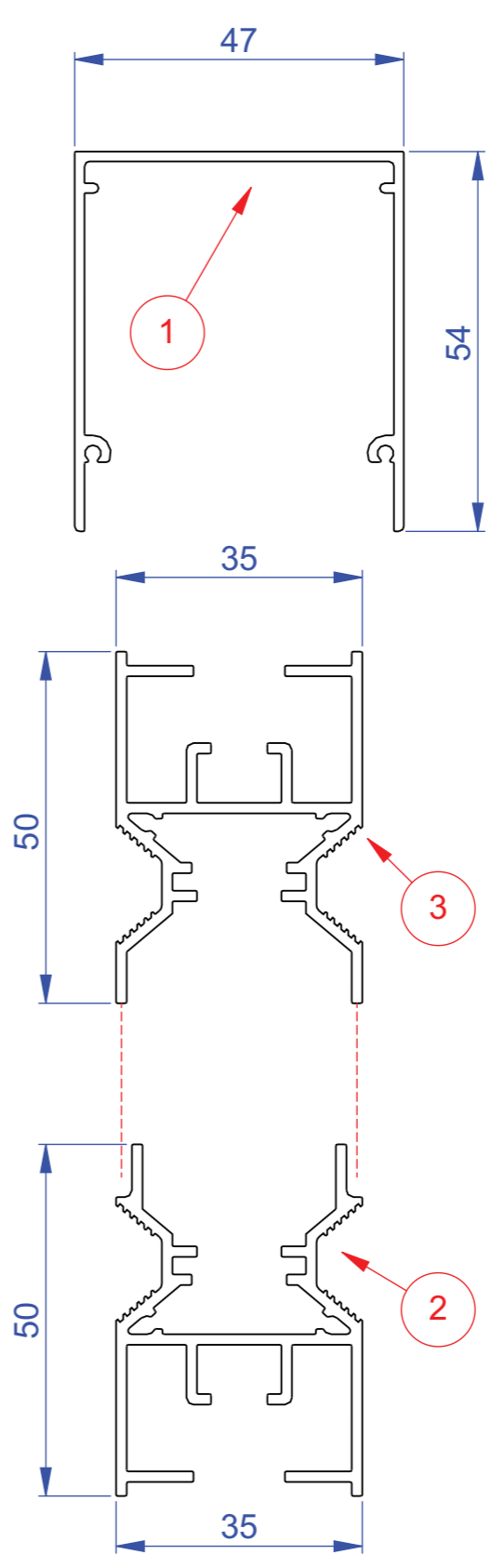
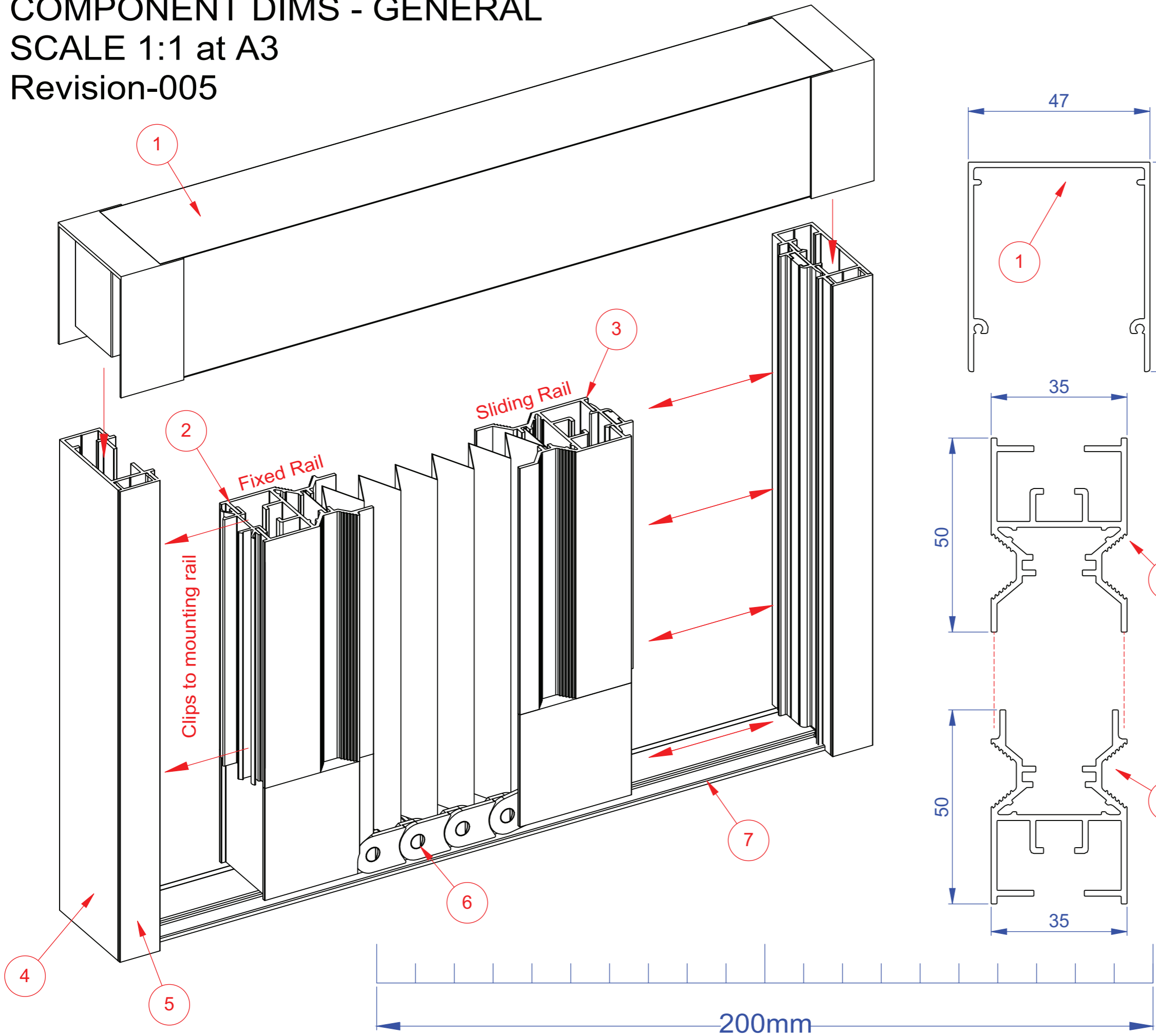


FREEDOM PLEATED SCREENS  
Technical Information

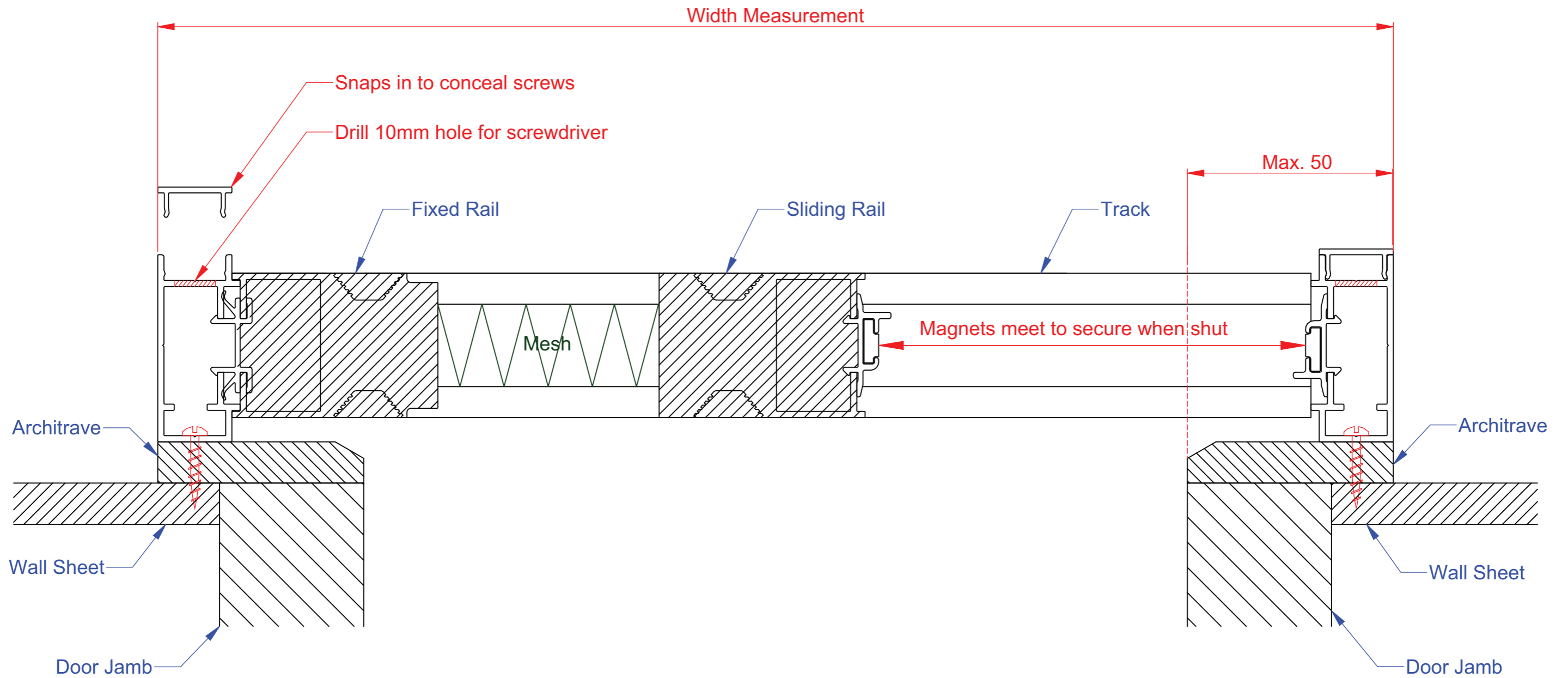
[www.freedomscreens.com.au](http://www.freedomscreens.com.au)

FREEDOM RETRACTABLE SCREENS® FREEDOM PLEATED SCREENS

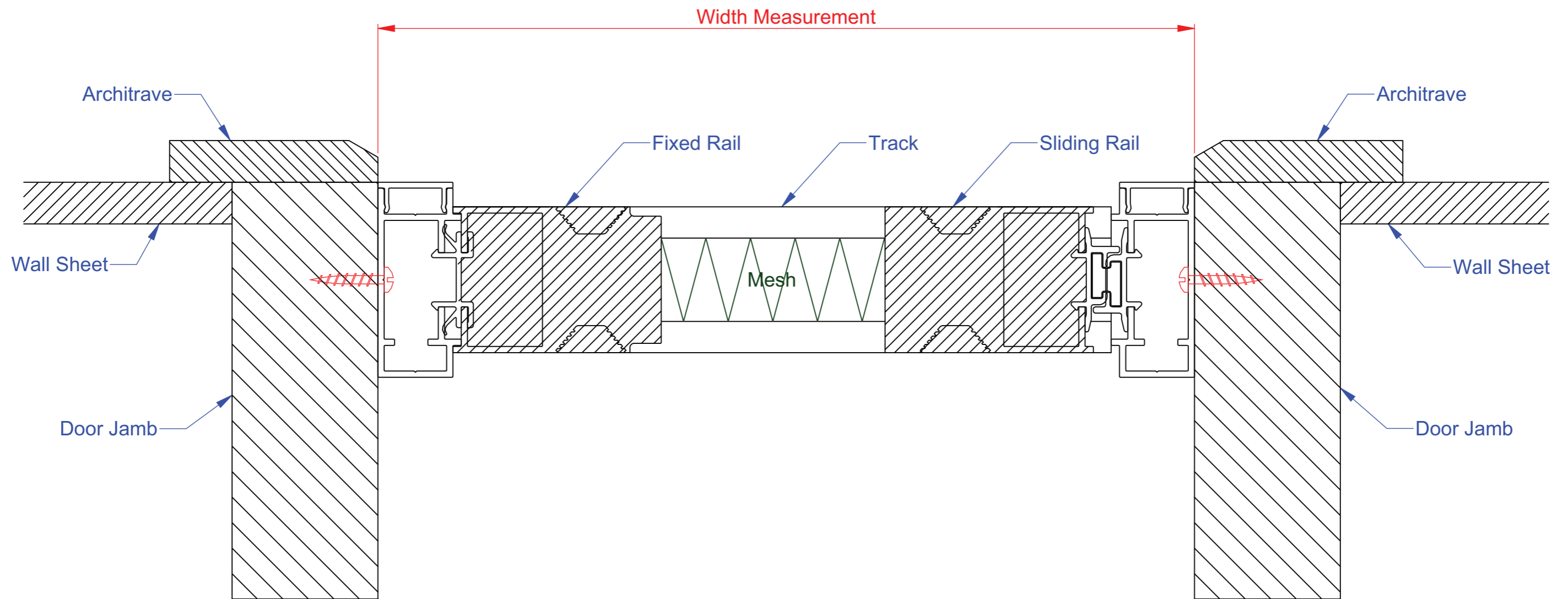
Freedom Screens - Pleated Screen  
COMPONENT DIMS - GENERAL  
SCALE 1:1 at A3  
Revision-005



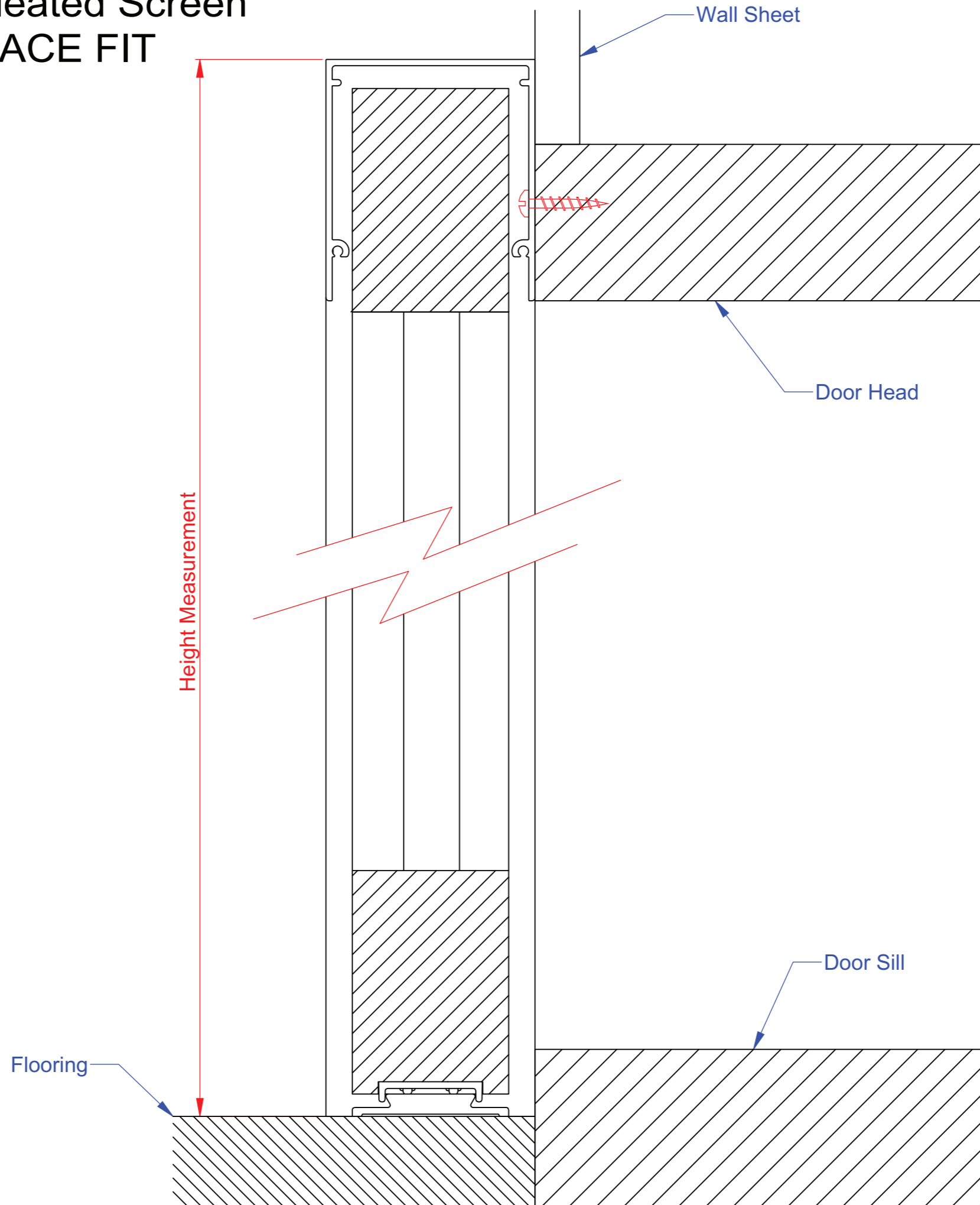
Freedom Screens - Pleated Screen  
PLAN VIEW - FACE FIT  
SCALE 1:1 at A3  
Revision-005



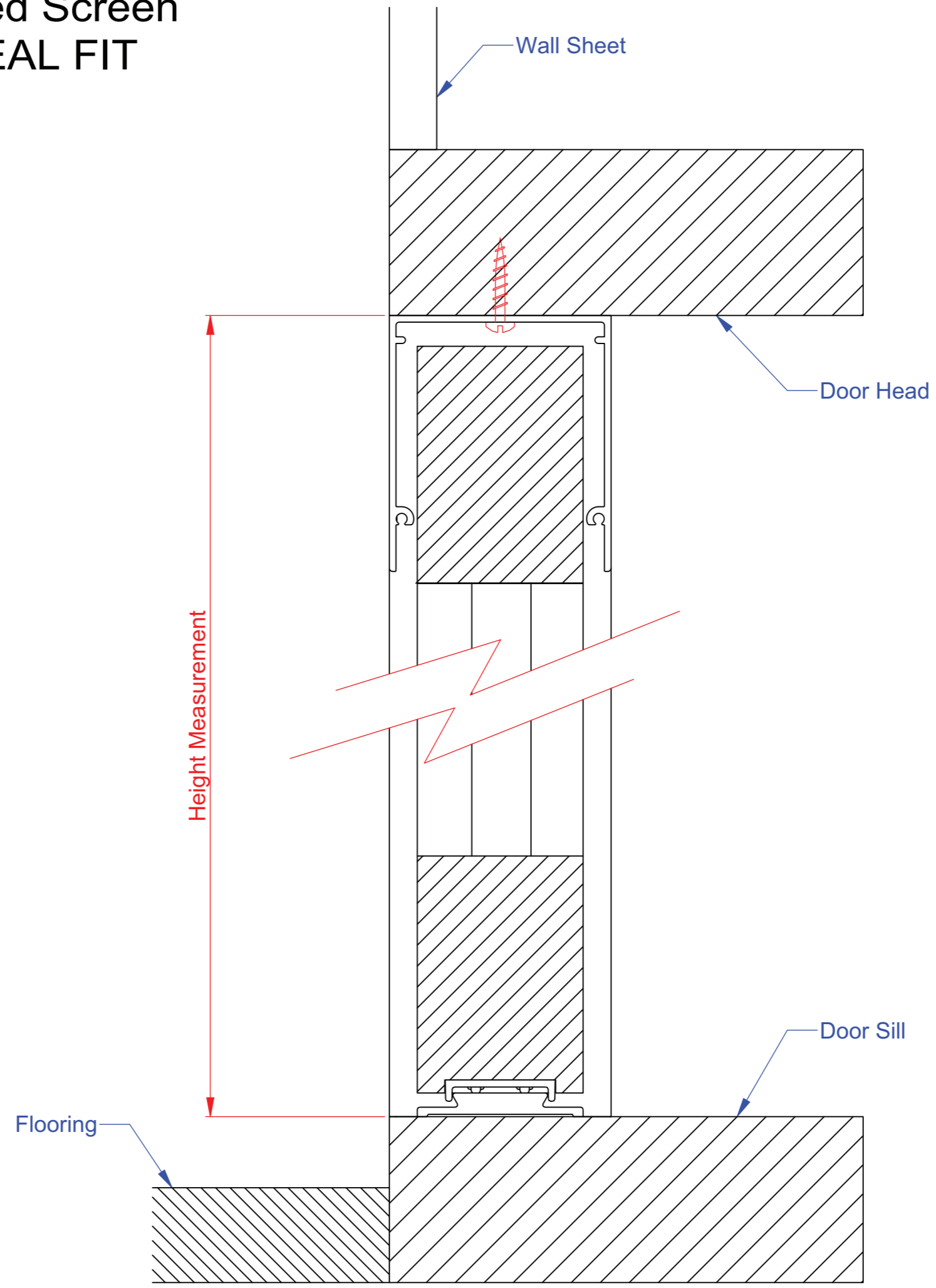
Freedom Screens - Pleated Screen  
PLAN VIEW - REVEAL FIT  
SCALE 1:1 at A3  
Revision-005



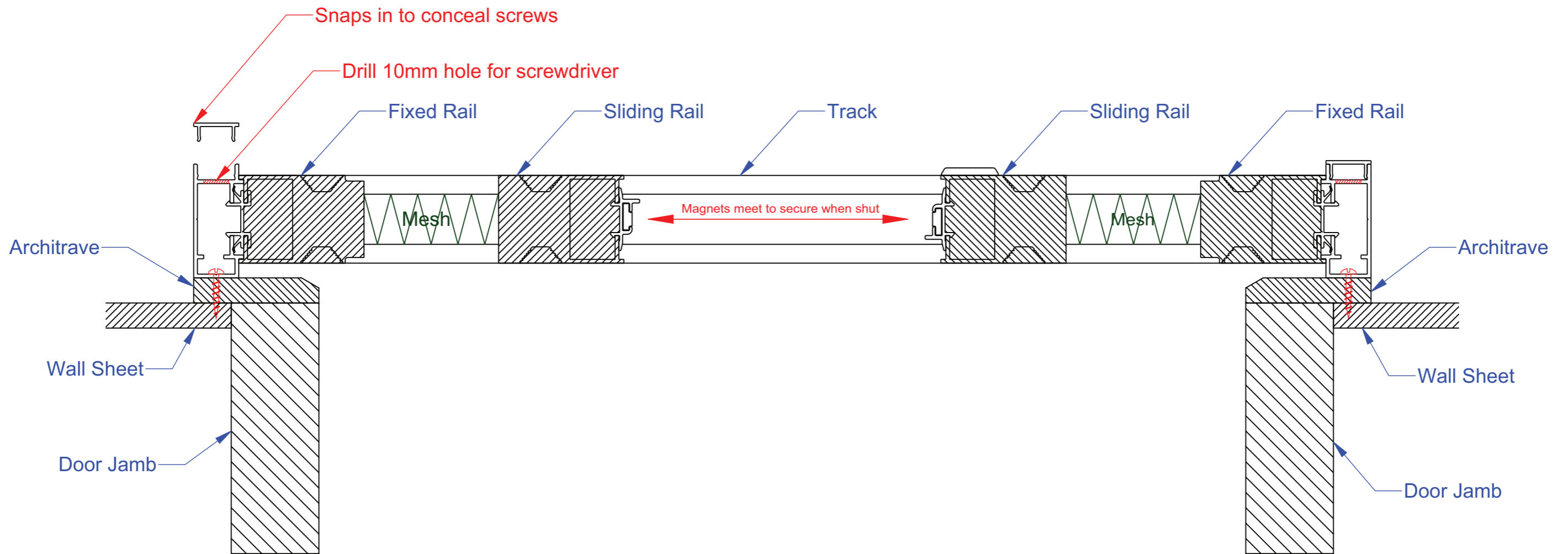
Freedom Screens - Pleated Screen  
VERTICAL SECT. - FACE FIT  
SCALE 1:1 at A3  
Revision-005



Freedom Screens - Pleated Screen  
VERTICAL SECT. - REVEAL FIT  
SCALE 1:1 at A3  
Revision-005



Freedom Screens - Pleated Screen  
PLAN VIEW - DOUBLE FACE FIT  
SCALE 3:5 at A3  
Revision-005



Freedom Screens - Pleated Screen  
 PLAN VIEW - DOUBLE REVEAL FIT  
 SCALE 3:5 at A3  
 Revision-005

